

smart

VTK 500 SMART

EAC & CE
CERTIFICATE



SPARE PART
SUPPORT



%70 POWER
ECONOMY



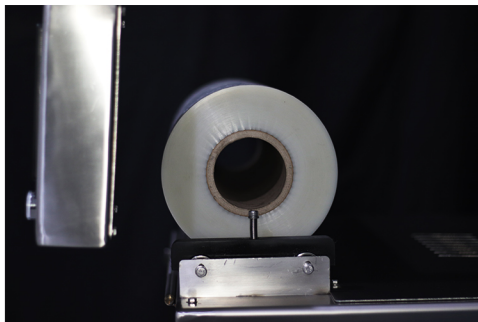
24 MONTHS
GUARANTEE



RENEWABLE
MACHINE



HIGH
SAFETY



VTK 500 SMART

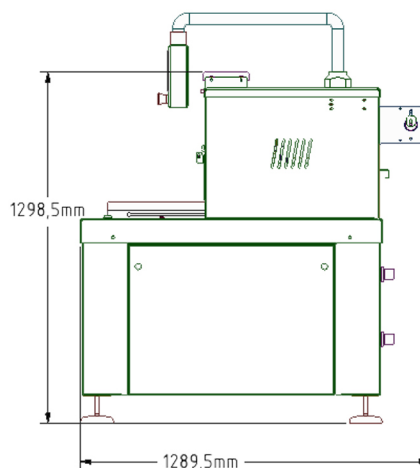
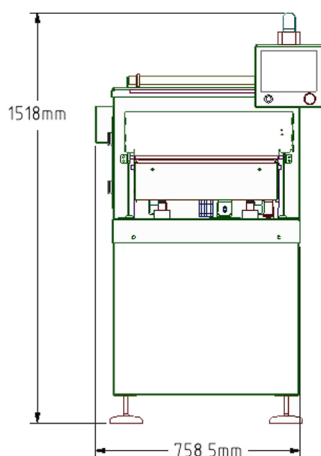
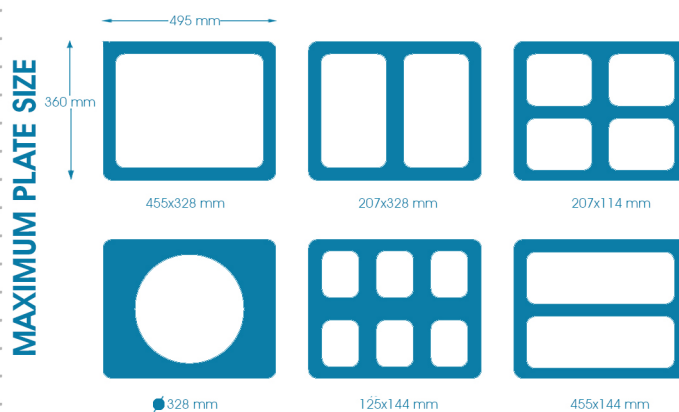
The mold and aluminum parts are eloxal coated. Values can be monitored numerically and graphically with the touch operator panel and any action can be done easily. The pneumatic system, gas pressure and vacuum values are controlled by sensors on the machine and operator is directed by warning message on display. The machine has printed film, non-printed film options and photocell system. It provides unlimited mold choice and high performance with the easy to replace mold system. Safety is provided by CE&EAC standards. It automatically switches to stop while installing the film or replacing the mold, by the help of security sensors.

smart

VTK 500 SMART

Technical Specifications

INSTALLED POWER	400V 50HZ, 16A
VACUUM PUMP	60 M3
ENERGY CONSUMPTION	2.4 KW
AIR PRESSURE	MAX. 6 BAR
AIR CONSUMPTION	3.6 LT CYCLE
CAPACITY/MIN	3-5 ACTION
MAX. MOLD DIMENSIONS	495X360 MM STANDART
WEIGHT NET/PACKAGED	260/300 KG
MAX. PLATE DEPTH	120 MM
MAX. FILM WIDTH	500 MM
MIN. FILM THICKNESS	25 MIC LID
MAXIMUM FILM WEIGHT	12 - 15 KG
MACHINE DIMENSIONS	758X1290X1518 MM
PACKAGED DIMENSIONS	890X1160X1190 MM



VTK 500 SMART Advantages

Vacuumed and gaseous tray sealing feature	Soft vacuuming opportunity with soft air option	7 inch Touch screen operator panell and adjustable panell box	Aluminum parts are of imported 5083-aluminum (eloxal coated)
Mold system is of imported 7075-aluminum (eloxal coated)	Values are monitored numerically and graphically	Vacuum pump (standard 60 m3)	Error-free mobility with drawers having linear sliding system
Precise measurement with absolute vacuum sensor	Possibility of only welding and cutting by one-touch	Stainless steel body of quality 304	Automatic and manual drower options
8 different language options	Time saving with pneumatic and quick mold system	Completely cuts the film around the plate and does not need extra labor	Energy saving with automatic temperature control system (PID)